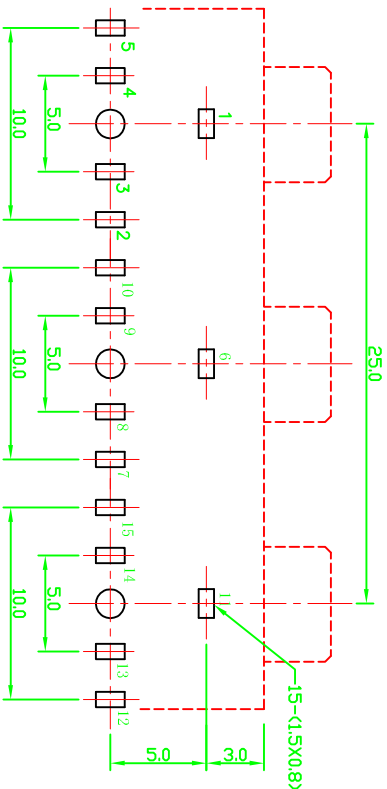


SCHEMATIC

P.C.B LAYOUT



SPECIFICATION

1. Rating : DC 30V 0.5A
2. Contact resistance :  $\leq 0.03\Omega$
3. Insulation resistance :  $\geq 100M\Omega$  (DC250V)
4. Withstand voltage : 500VAC
5. Insertion and extraction force : 3~20N
6. Life test : 5,000 cycles

UNLESS OTHERWISE SPECIFIED DIMENSIONS ARE IN MILLIMETERS	UNLESS OTHERWISE SPECIFIED DIMENSIONS ARE IN MILLIMETERS
°	°
XX°	±3.0°
XXX°	±2.0°
XXXX°	±1.0°
X	±0.30
XX	±0.20
XXX	±0.10

21	卡簧	3	SPRING STEEL	Ni-Plating	TP-JK0013	同PJ-306
20	後蓋	3	PBT		GZ-JK0001	同PJ-317
19	底座	1	PA66+15%GF			
18	套筒	3	PBT		OT-JK0002	同PJ-306D
17	軸套	3	H59 BRASS	Ni-Plating	ZT-JK0019	同PJ-306D
15	2#彈片	1	BRONZE	Sn-Plating	JA-JK0041	同PJ-306E
14	1#彎片	1	BRASS	Sn-Plating	JA-JK0010	同PJ-317
13	1#平片	1	BRASS	Sn-Plating	JA-JK0011	同PJ-317
12	1#彈片	1	BRONZE	Sn-Plating	JA-JK0012	同PJ-317
11	1#接觸腳	1	BRASS	Sn-Plating	JA-JK0040	同PJ-306E
10	2#彈片	1	BRONZE	Sn-Plating	JA-JK0041	同PJ-306E
9	1#彎片	1	BRASS	Sn-Plating	JA-JK0010	同PJ-317
8	1#平片	1	BRASS	Sn-Plating	JA-JK0011	同PJ-317
7	1#彈片	1	BRONZE	Sn-Plating	JA-JK0012	同PJ-317
6	1#接觸腳	1	BRASS	Sn-Plating	JA-JK0040	同PJ-306E
5	2#彈片	1	BRONZE	Sn-Plating	JA-JK0041	同PJ-306E
4	1#彎片	1	BRASS	Sn-Plating	JA-JK0010	同PJ-317
3	1#平片	1	BRASS	Sn-Plating	JA-JK0011	同PJ-317
2	1#彈片	1	BRONZE	Sn-Plating	JA-JK0012	同PJ-317
1	1#接觸腳	1	BRASS	Sn-Plating	JA-JK0040	同PJ-317

UNIT: MM	TYPE: PHONE JACK	MODEL NO: P1306EB-X	PAPER NO: A4	備註
DESIGNER BY:				
CHECK BY:				
APPROVED BY:				
承永實業有限公司				備註
BLUE SOURCES ELECTRONICS CO.,LTD.				0