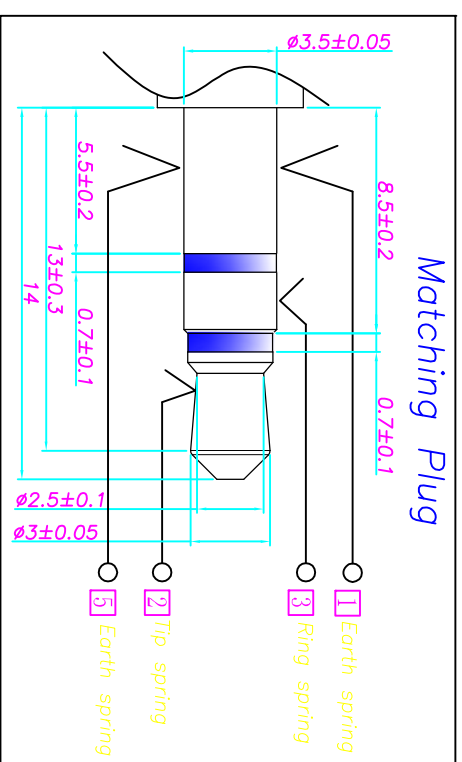
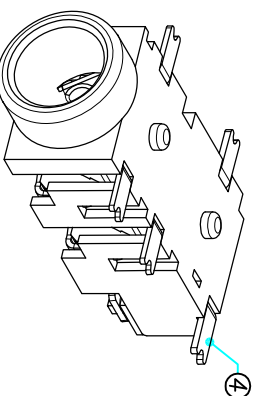
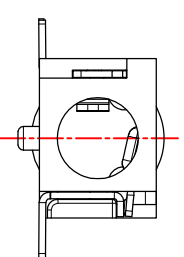
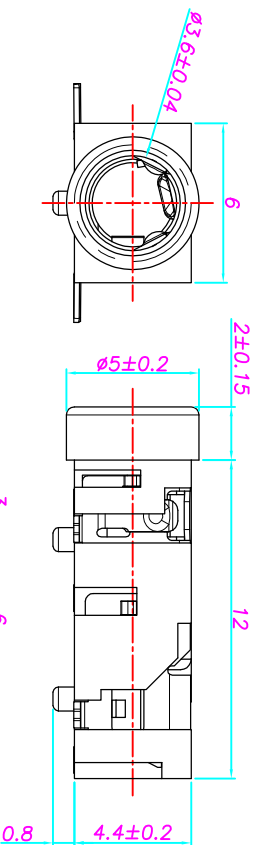


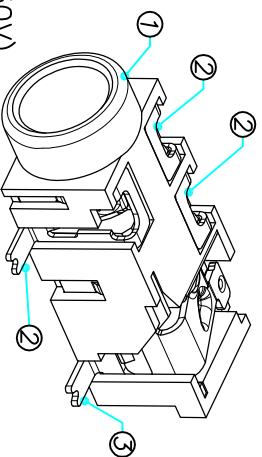
Model No.	PJ3027AN-B	PJ3027AN-C	PJ3027AN-D
Schematic			
Model No.	PJ3027AN-K	PJ3027AN-P	
Schematic			

P. C. B Layout
(Copper-sided view)



SPECIFICATION

1. Rating : DC 30V 0.5A
2. Contact resistance : $\leq 30\text{m}\Omega$
3. Insulation resistance : $\geq 100\text{M}\Omega$ (DC250V)
4. Withstand voltage : 500VAC
5. Insertion and extraction force : 3-30N
6. life test : 5,000 cycles



UNLESS OTHERWISE SPECIFIED, DIMENSIONS ARE	
TERMINALS ARE	
XX	± 0.30
XX	± 0.20
XXX	± 0.10
XX	$\pm 3.0^\circ$
XXX	$\pm 1.0^\circ$

④	Shunt terminal	1	Brass $t=0.25$	PJ3027A-04	Au-Plating
③	Tip spring	1	Be-cu, $t=0.25$	PJ3027A-02	Au-Plating
②	Ring spring	3	Bronze, $t=0.2$	PJ3027A-01	Au-Plating
①	Housing	1	PA9T	PJ3027A-S1	
ITEM NO.	DESCRIPTION	QTY	MATERIAL	PART NO.	PLATING
UNIT: MM	TYPE:				
DESIGNER BY:	YUJUN	2008.3.10	MODEL NO:		
CHECK BY:			PAPER NO: A4		
APPROVED BY:			PJ3027AN-X	SCALE	VER
				FULL	2

丞永實業有限公司
BLUE SOURCES ELECTRONICS CO.,LTD.