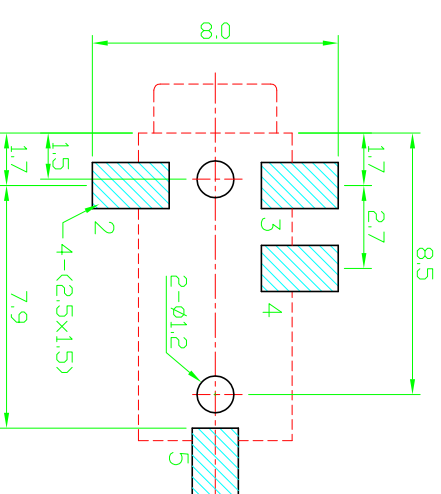
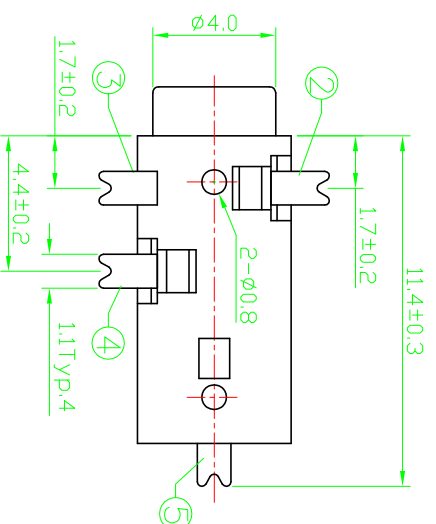
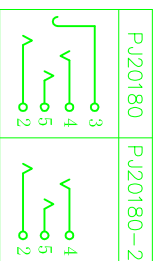


P.C.B LAYOUT  
TOP VIEW



SCHMATIC



- SPECIFICATION
1. Rating : DC 30V 0.5A
  2. Contact resistance :  $\leq 0.03\Omega$
  3. Insulation resistance :  $\geq 100M\Omega$  (DC250V)
  4. Withstand voltage : 500VAC
  5. Insertion and extraction force : 3-20N
  6. life test : 5,000 cycles

NO.	DESCRIPTION	QTY	MATERIAL	PLATING
5	CONTACT FOOT	1	PHOSPHOR BRONZE T=0.2	Ag-Plating
4	SPRING PIECE	1	PHOSPHOR BRONZE T=0.2	Ag-Plating
3	CONTACT FOOT	1	PHOSPHOR BRONZE T=0.2	Ag-Plating
2	SPRING PIECE	1	PHOSPHOR BRONZE T=0.2	Ag-Plating
1	HOUSING	1	PA9T	

UNLESS OTHERWISE SPECIFIED DIMENSIONS ARE IN MILLIMETERS

UNIT: MM

DESIGNER BY: PHONE JACK

MODEL NO: P.J20180-X

PAPER NO: A4

PAGE 1 OF 1  
SCALE 3:1  
VER 1

CHECK BY:  
APPROVED BY:

丞永實業有限公司  
BLUE SOURCES ELECTRONICS CO.,LTD.