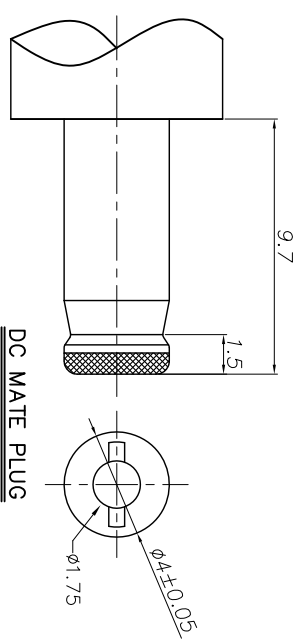
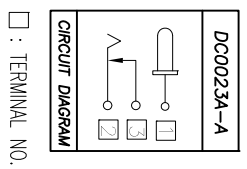
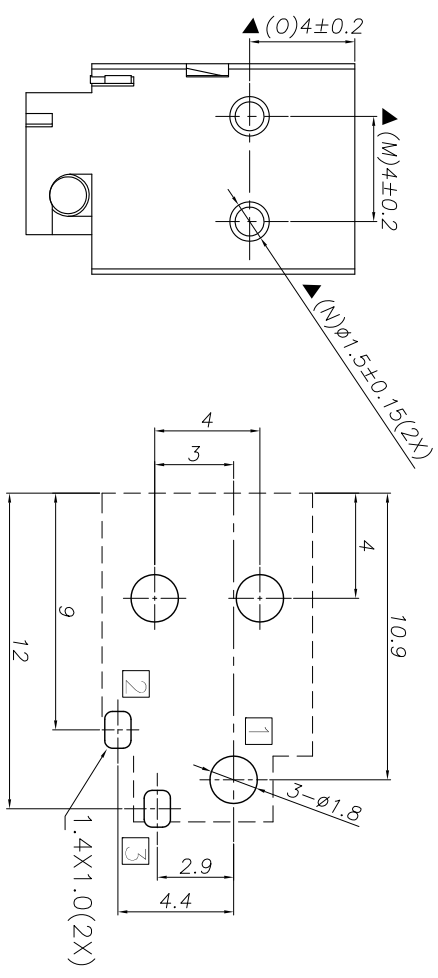
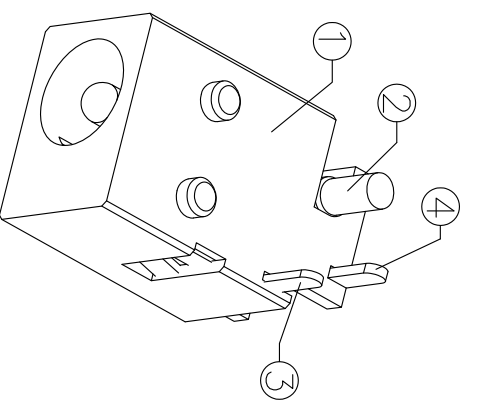
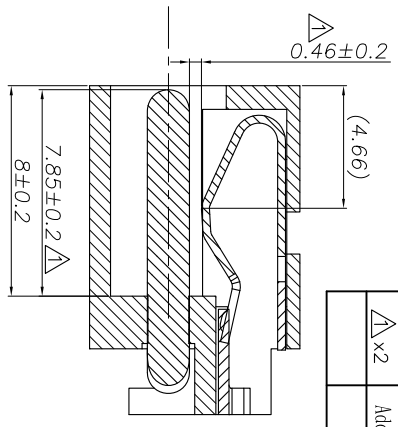
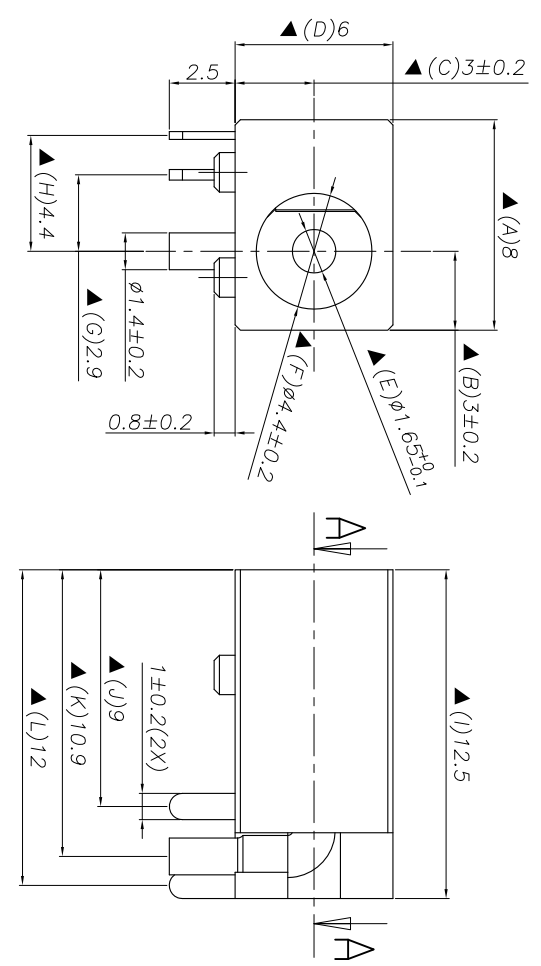


REV. LTR.	DESCRIPTION	SIGN	DATE
△x2	Add dimension	Zhang:x.k	2011.5.27



SPECIFICATION
 1. Rating : DC 20V 3A.
 2. Contact resistance: ≤30mΩ.
 After test: ≤50mΩ;
 3. Insulation resistance: ≥100MΩ (DC500V).
 After test: ≥50MΩ
 4. Withstanding voltage: 500VAC.
 5. Insertion and extraction force: 3-30N.
 6. Life test: 5,000 cycles.
 7. Operation temperature range: -20°C~70°C.
 8. Preservation temperature range: -40°C~85°C.
 9. Sign "▲" is importance dimension.

RECOMMENDED P. C. B. LAYOUT
 UNSPECIFIED TOLERANCE: ±0.05
 (BOTTOM VIEW)

NO.	DESCRIPTION	QTY	MATERIAL	PART NO.	REMARK
④	Shunt terminal	1	Brass t0.4	DC0023A-03(WP-579)	Silver plating
③	Tip spring	1	Phosphor bronze t0.3	DC0023A-02(TP-580)	Silver plating
②	Center pin	1	Brass	DC00230-99G(PZ-825)	Silver plating
①	Housing	1	PBT	DC00230-51(ST-DC0018)	

UNIT:MM	TYPE:	MODEL NO:	PAPER NO: A4	PAGE 1 OF 1			
DC POWER JACK	DC0023A-AG						
TOLERANCE	±0.3	ANGLES	±2°	SCALE	FULL	VER	2

DESIGNER BY:	Zhang:x.k	2011.05.27	丞永實業有限公司 BLUE SOURCES ELECTRONICS CO.,LTD.
CHECK BY:	Michael	2011.05.27	
APPROVED BY:	Ocean	2011.05.27	