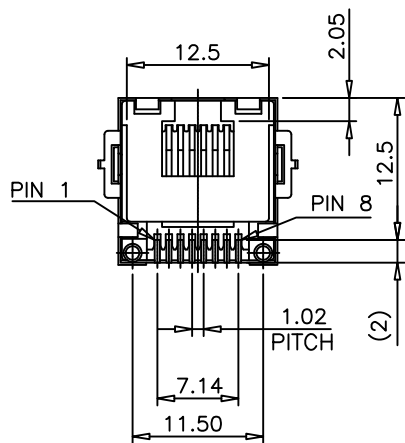
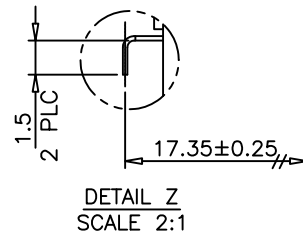
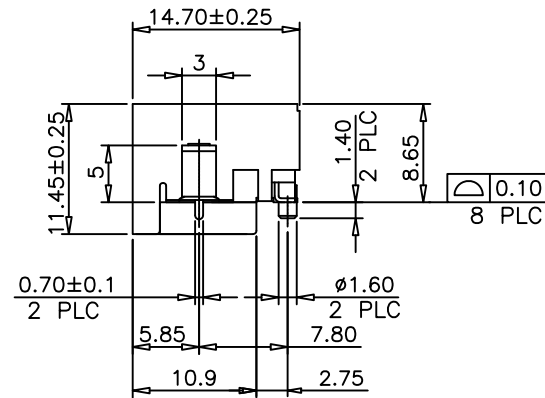
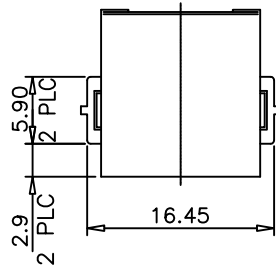
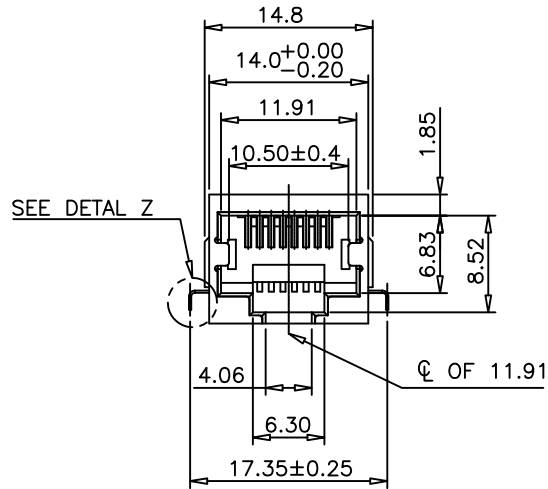
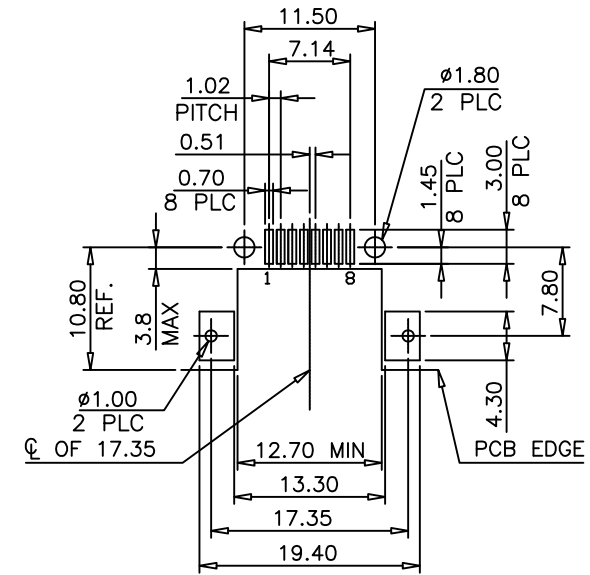


記號	設變內容	日期	修改	核准
△				



NOTE:
CAVITY CONFIRMS TO FCC RULES AND REGULATIONS PART 68, SUBPART F.

- MATERIAL:
HOUSING: PA9T, WITH GLASS FIBER,
UL 94V-0, STANDARD COLOR-BLACK.
INSERT HOUSING: PA46, WITH GLASS FIBER,
UL 94V-0, STANDARD COLOR-BLACK
CONTACTS: PHOSPHOR BRONZE.
SHELL: BRASS.
- FINISH:
CONTACTS: GOLD PLATED ON CONTACT AREA,
0.0254μm [1μ"] GOLD PLATED ON SOLDER TAIL,
WITH ENTIRE CONTACT UNDERPLATED
1.27μm [50μ"] MIN. NICKEL
SHELL: 0.508μm [20μ"] MIN. NICKEL PLATED.



RECOMMENDED PCB LAYOUT
RECOMMENDED PCB THICKNESS: 1.2mm
TOLERANCE:±0.05mm (TOP VIEW)

UNLESS OTHERWISE SPECIFIED TOLERANCES ARE .x ±0.30 .xx ±0.20 .xxx ±0.10 .x° ±5.0° .xx° ±2.0° .xxx° ±1.0°	永永實業有限公司					
	繪圖 / 日期 Draw By/Date	單位 Units	MM INCH	名稱 / 料號 Title / Part No.	RJ45.SMT CONNECTOR 9846-881X-S0-LFG	
	審核 / 日期 Check By/Date	比例 Scale	1:1	材質 Material	顏色 Color	
	批准 / 日期 App. By/Date	頁次 SHEET	1/1	角法 PROJ.	版本 REV.	2/1